

6

5

4

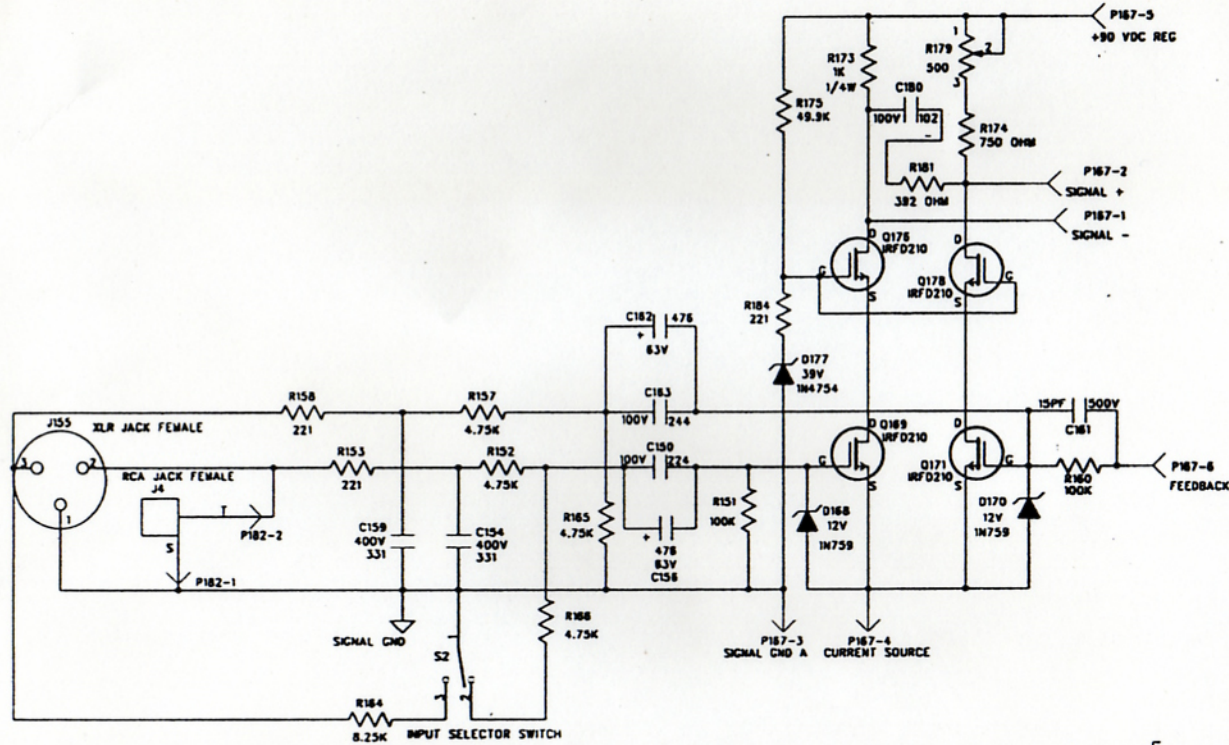
3

2

1

REVISIONS

ZONE	LTR	DESCRIPTION(S)	INIT	DATE



NOTES:

1. ALL RESISTORS ARE 1/4W

UNLESS OTHERWISE
INDICATED DIMENSIONS
SHOWN ARE IN INCHES

TOLERANCES
FRACTION \pm / -
ANGLES \pm / -
XXX \pm / - 0.01
.XXX \pm / - 0.005

APPROVALS

INIT	DATE
DESIGNED: K.R.	02/24/97
DRAWN: T.T.	02/24/97
ELEC:	
MATERIAL:	MECH:
FRSH:	Q/A:
	RELEASED:

TITLE:

ADCOM[®]
SCHEMATIC DRAWING
GFA5802 POWER AMPLIFIER BD.

SIZE	DRAWING NO:	REV.
B	AD406-0003-D	B8
	PART NO:	
	AD206-0003-B8	
	FILENAME:	
	AD60388	
	SCALE: 1/1	SHEET 2 OF 2

6

5

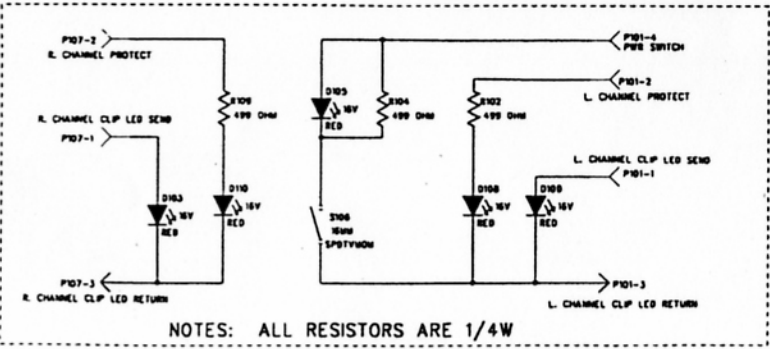
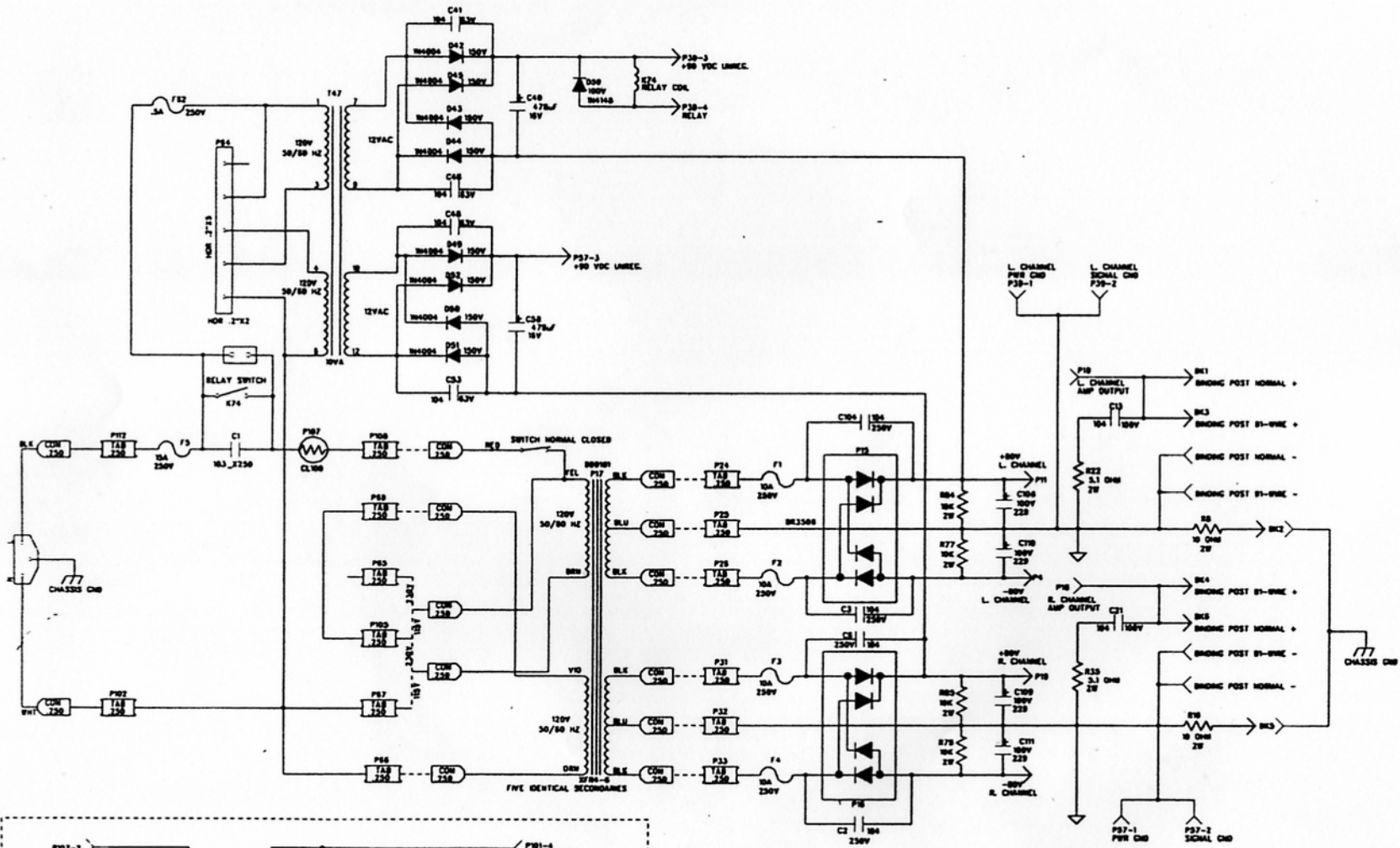
4

3

2

1

REVISIONS				
ZONE	LTR	DESCRIPTION	REV	DATE



NOTES: ALL RESISTORS ARE 1/4W

QTY PER ASSY		PART NUMBER		DESCRIPTION		DESIGNATION(S)		REV
ADCOM THIS DRAWING CONTAINS INFORMATION WHICH IS PROPRIETARY TO CALLER TECHNOLOGY CORPORATION. DO NOT REPRODUCE IN ANY FORM OR DISTRIBUTE IN ANY MANNER WITHOUT THE EXPRESS WRITTEN PERMISSION OF CALLER TECHNOLOGY CORPORATION.								
UNLESS OTHERWISE INDICATED DIMENSIONS SHOWN ARE IN INCHES				APPROVALS		TITLE: SCHEMATIC DRAWING GFA5802 POWER SUPPLY		
TOLERANCES: FRACTION +/- ANGLES +/- DEC +/-		DESIGNED: K.R. 02/27/97		DATE: 02/27/97		SIZE: C		DRAWING NO: AD406-0005-B9
MATERIAL:		DRAWN: T.T.		ELEC:		PART NO: AD206-0005-B9		REV: B9
FINISH:		RECD:		S/A:		FILENAME: AD605B		SCALE: 1/1
RELEASED:		RELEASED:		RELEASED:		SHEET 1 OF 1		

